

Assignment #3 - Boolean Algebra

Name _____

1. Draw the circuit symbol and generate the truth tables for the AND, OR, and NOT gates.

AND :

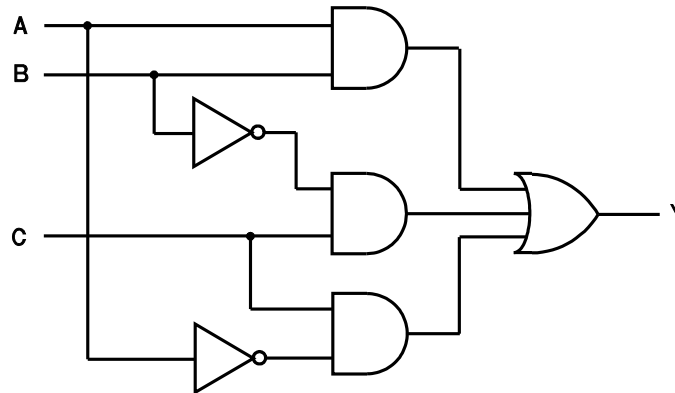
OR :

NOT :

A	B		AB
0	0		
0	1		
1	0		
1	1		

A	B		A+B
0	0		
0	1		
1	0		
1	1		

2. Determine the Boolean equation and develop the truth table for the following circuit.



A	B	C		Y
0	0	0		
0	0	1		
0	1	0		
0	1	1		
1	0	0		
1	0	1		
1	1	0		
1	1	1		